

**BLUEWATER SPIRIT  
INSTALLATION  
QUICK GUIDE**



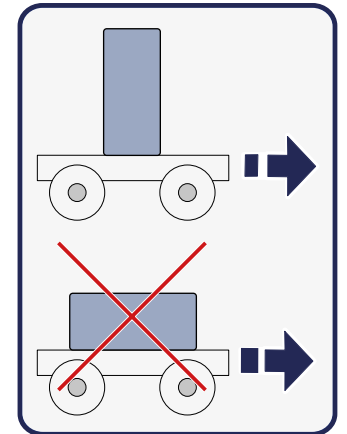
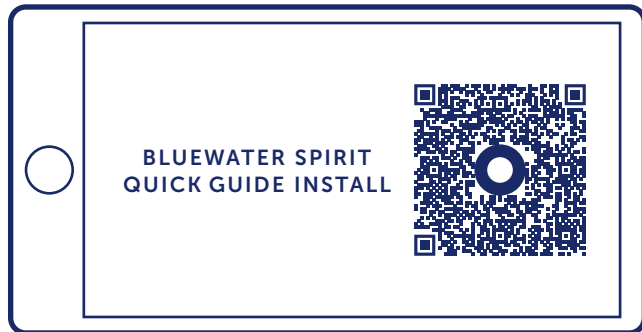
**BLUEWATER**

**BLUEWATER SPIRIT  
QUICK GUIDE**

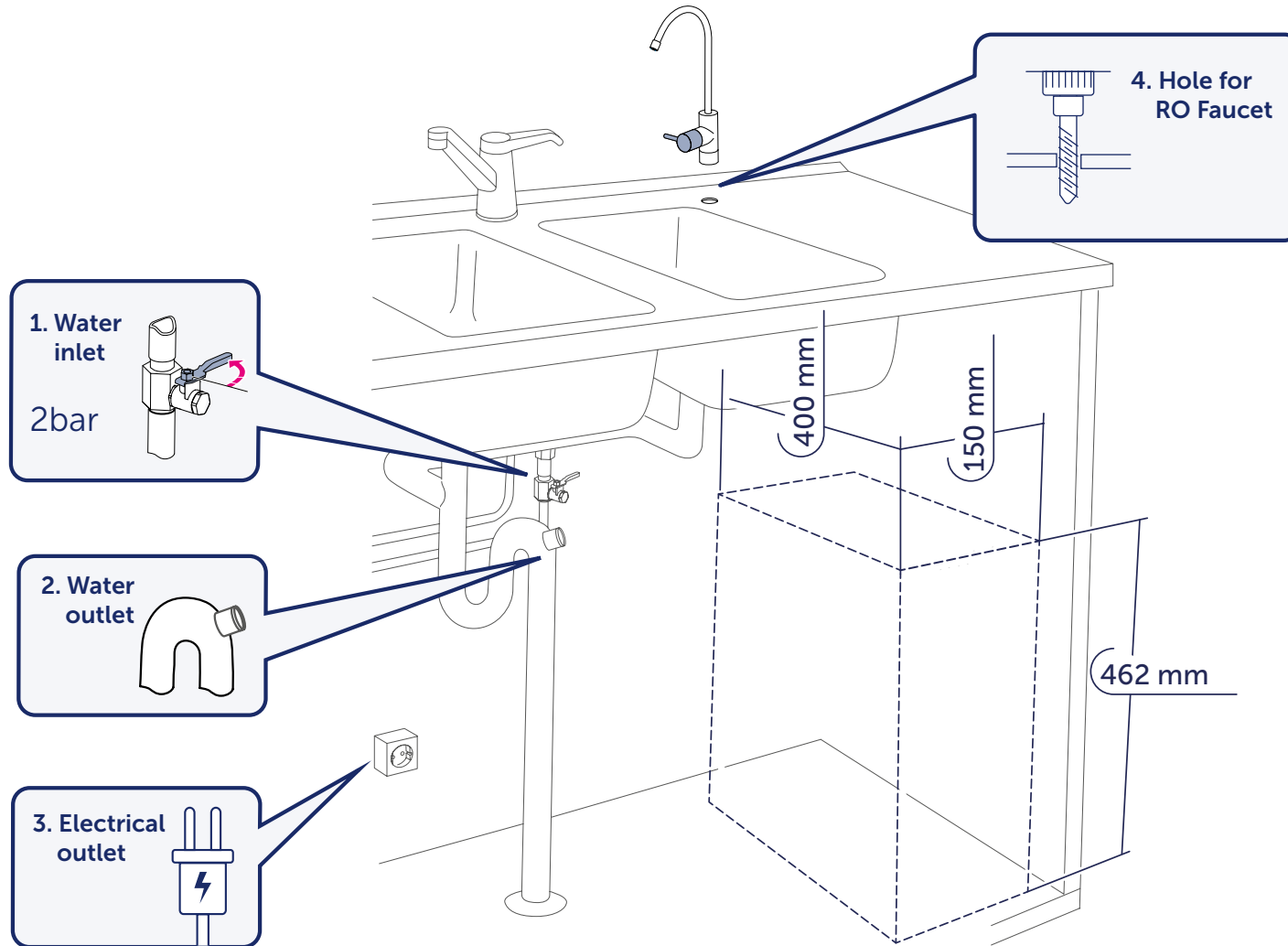


## Easy to install

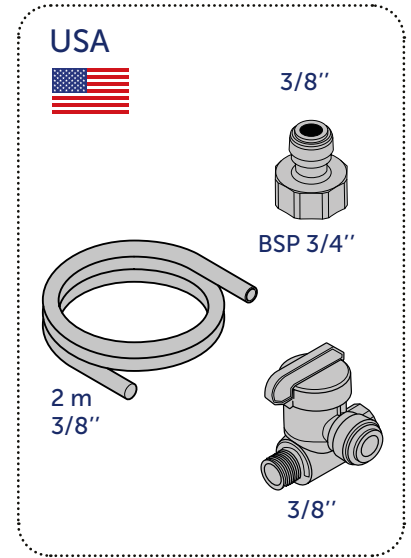
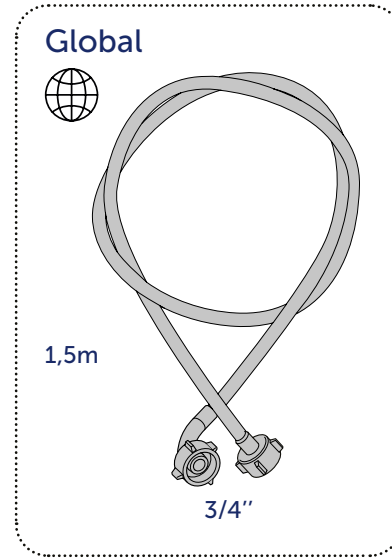
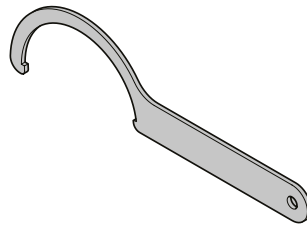
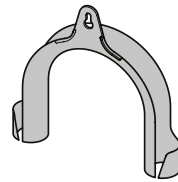
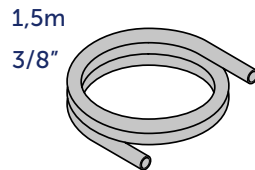
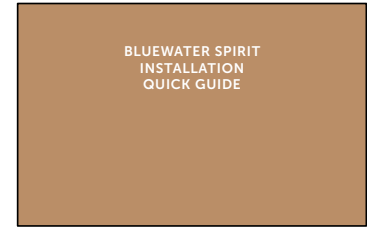
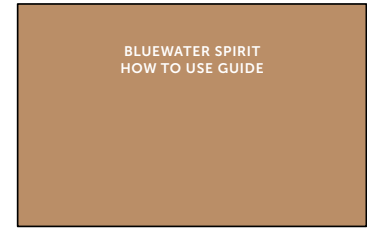
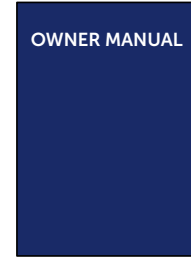
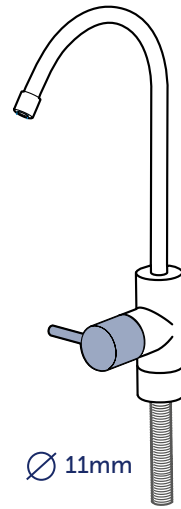
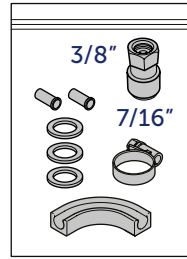
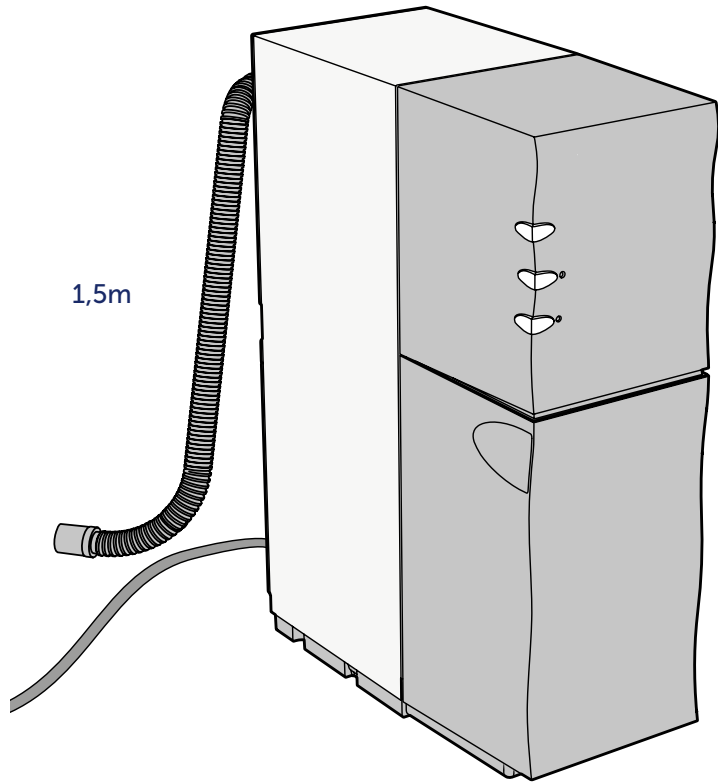
You'll find everything you need to know to install your new Bluewater Spirit purifier in this Quick Guide. Or scan the QR code to for a user-friendly online version of the guide.

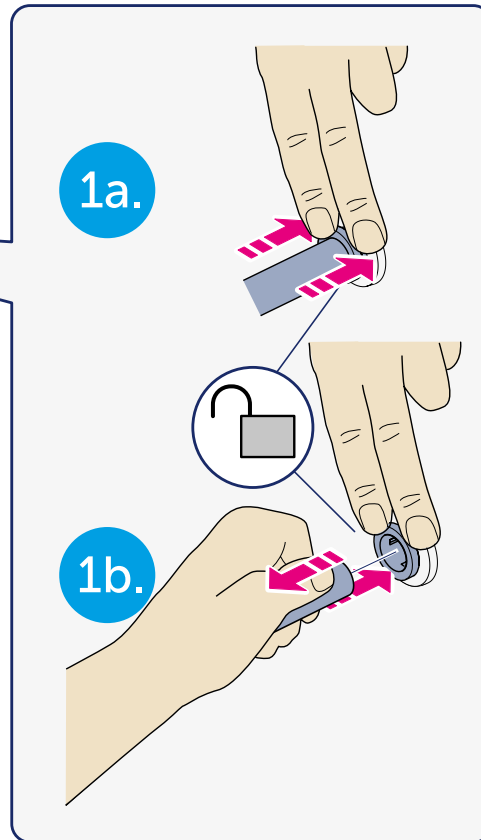
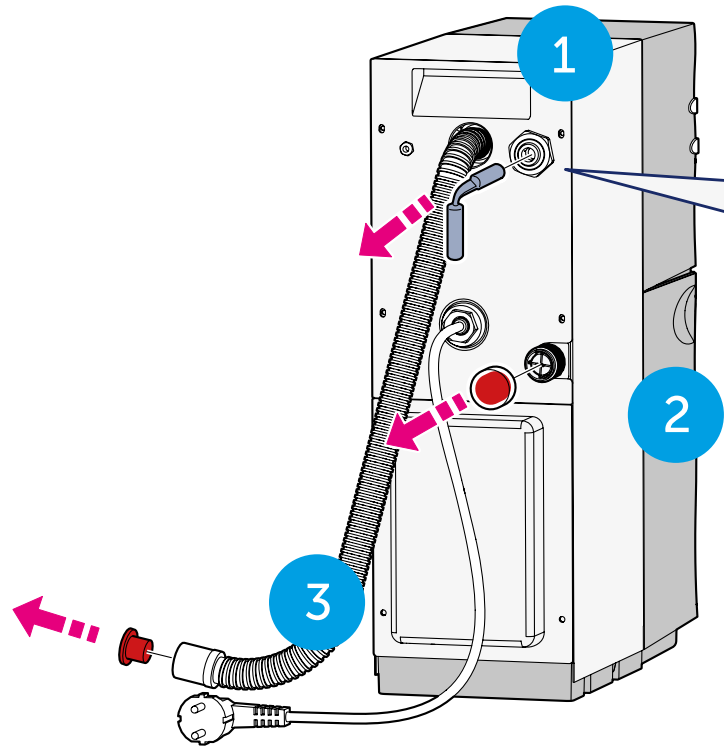


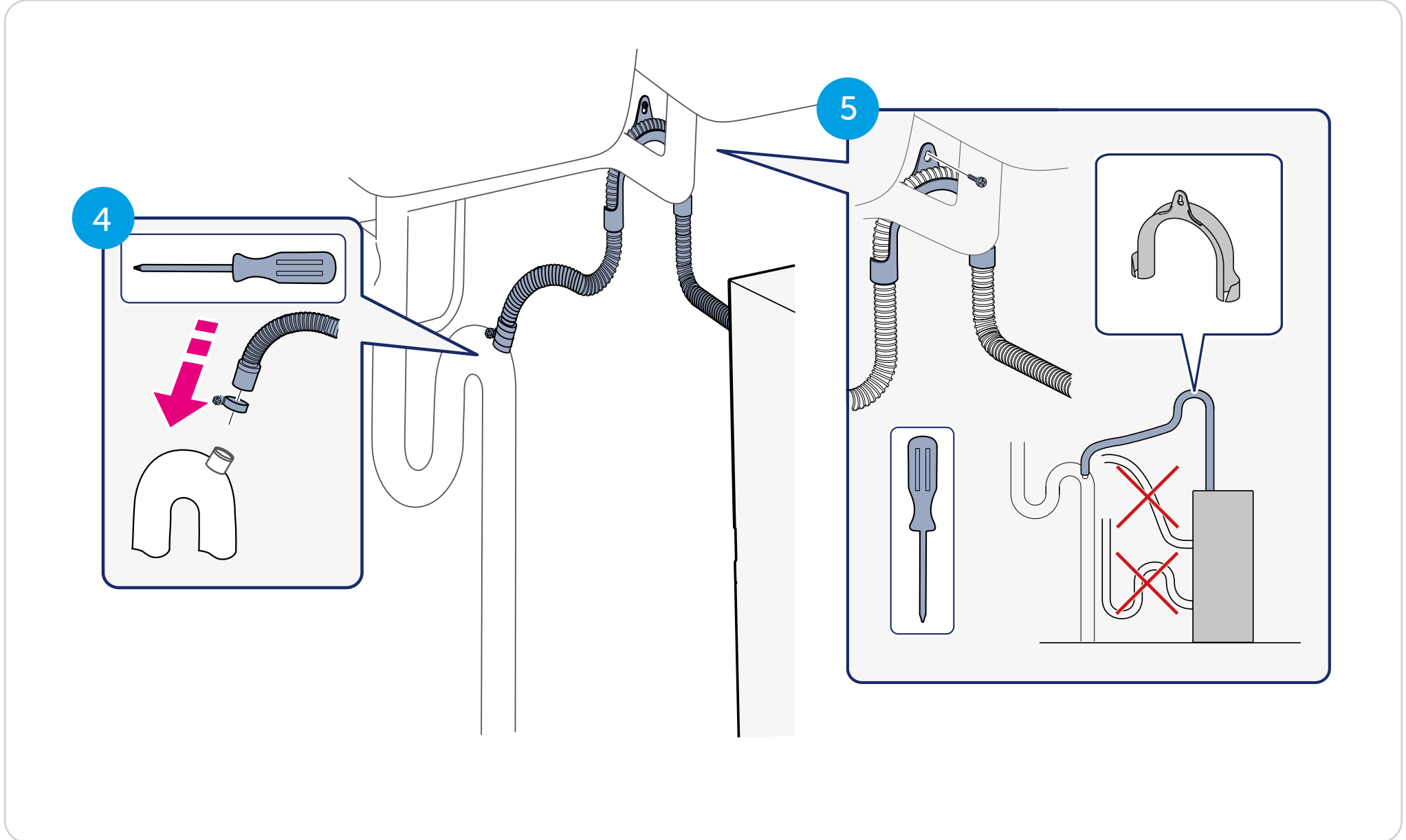
## Preparation before installation:



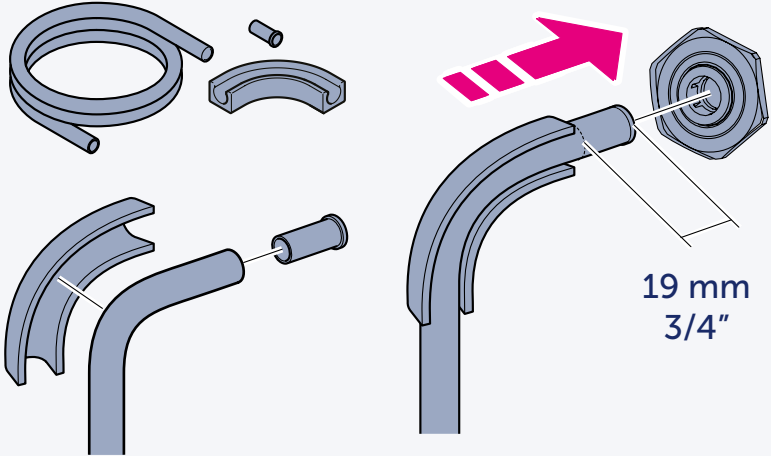
# What is included





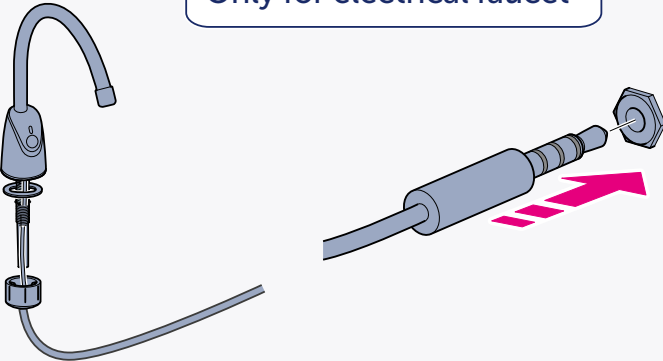


6

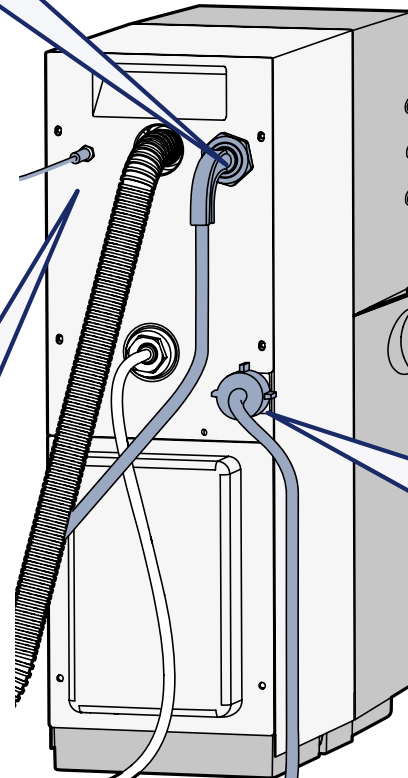
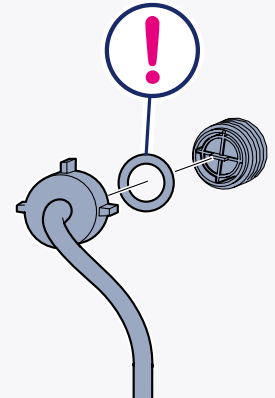


7

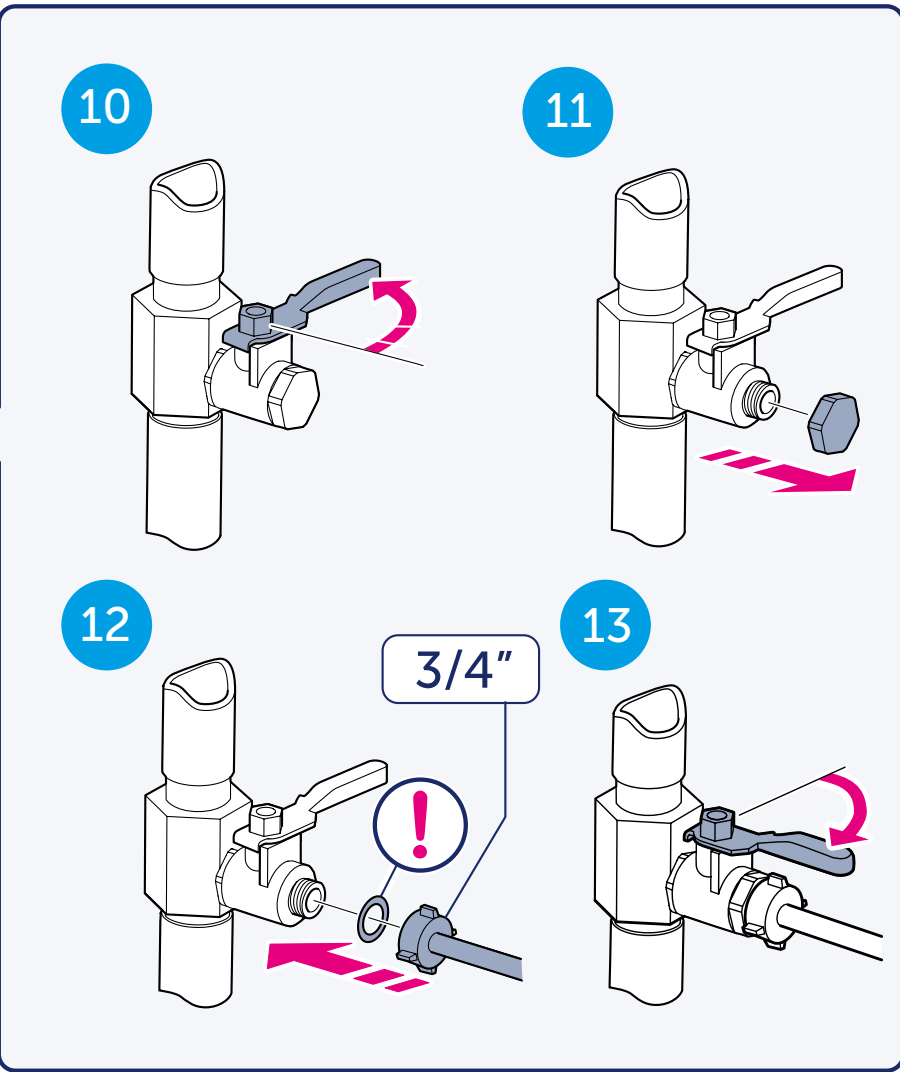
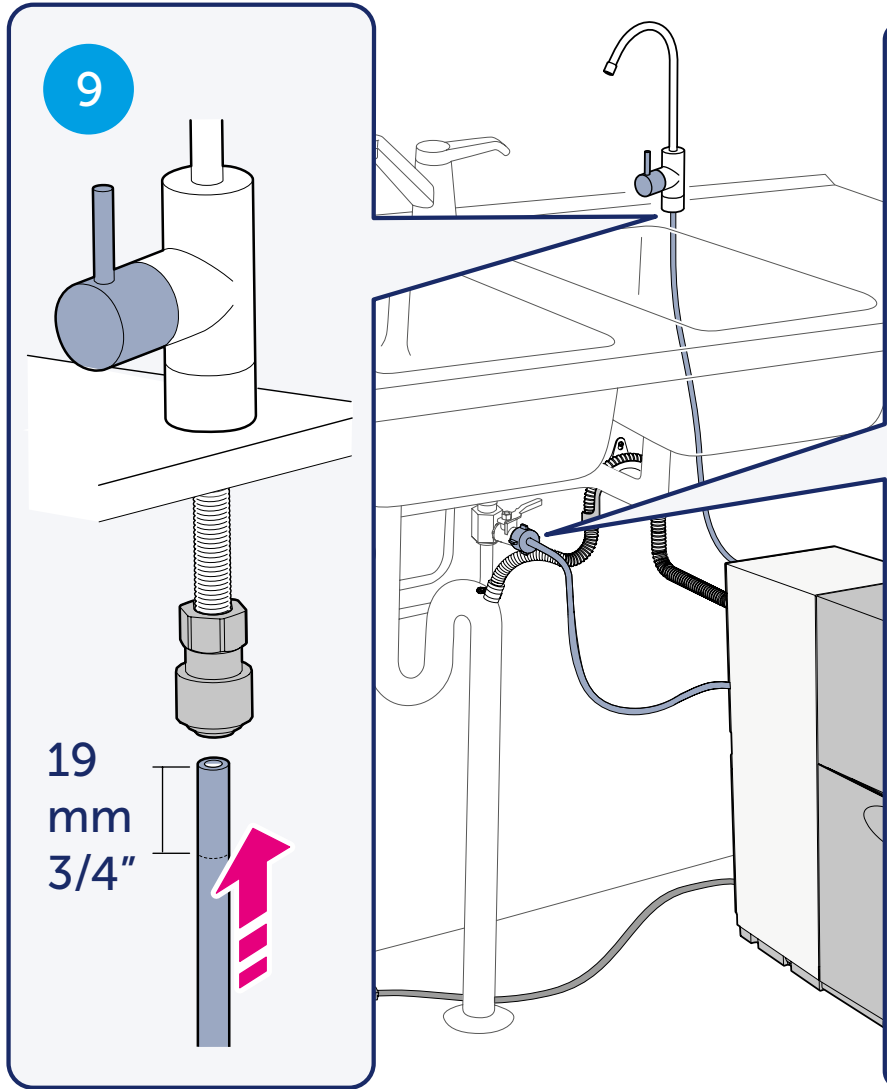
Only for electrical faucet



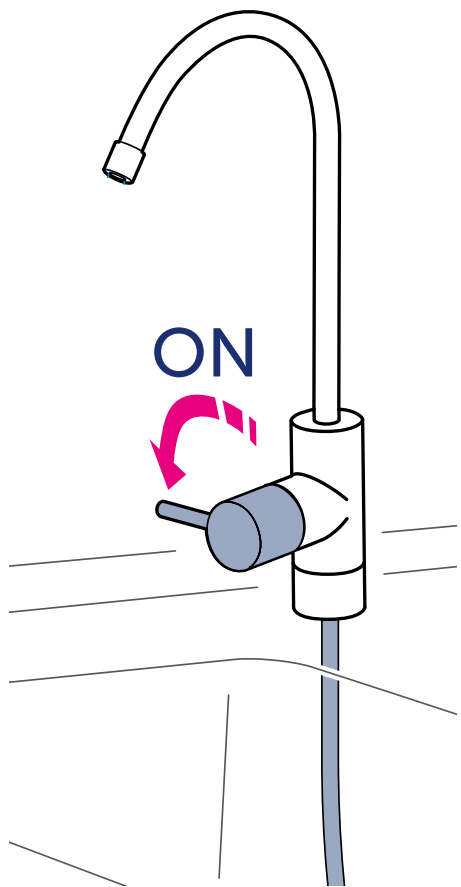
8



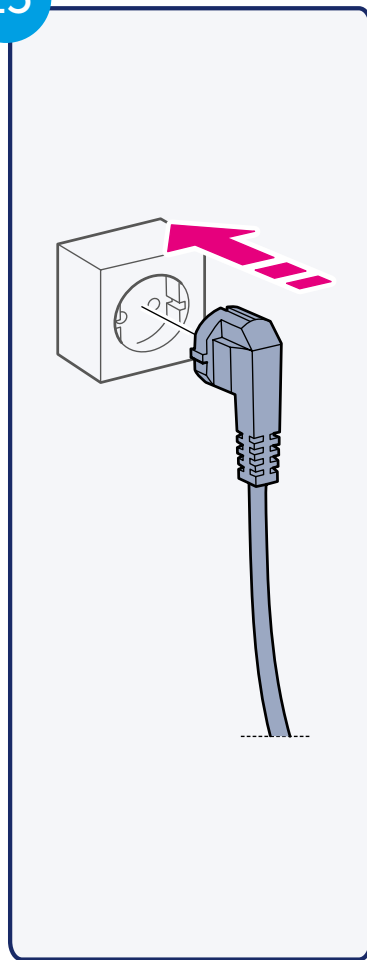




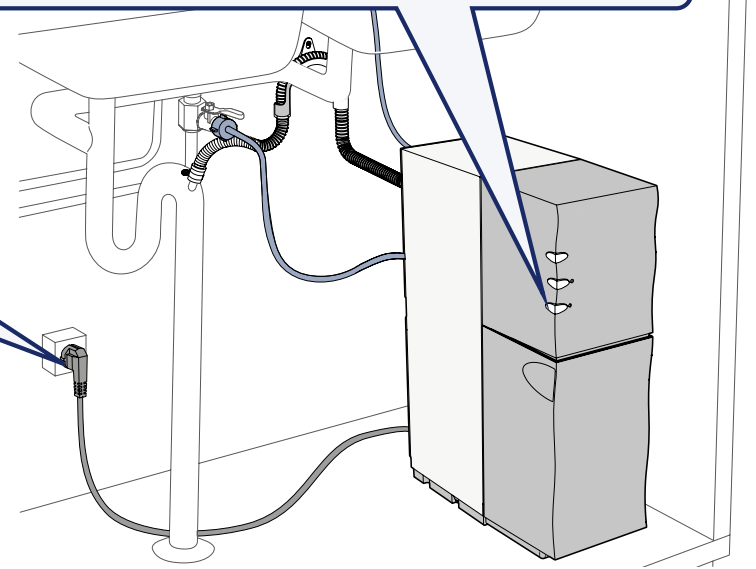
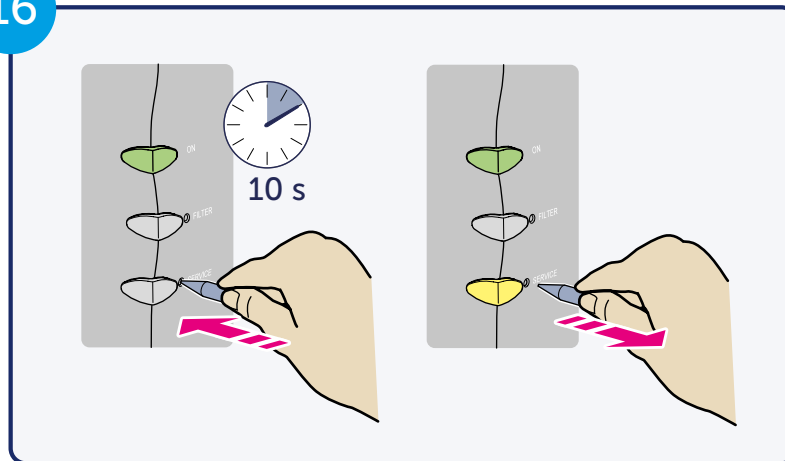
14



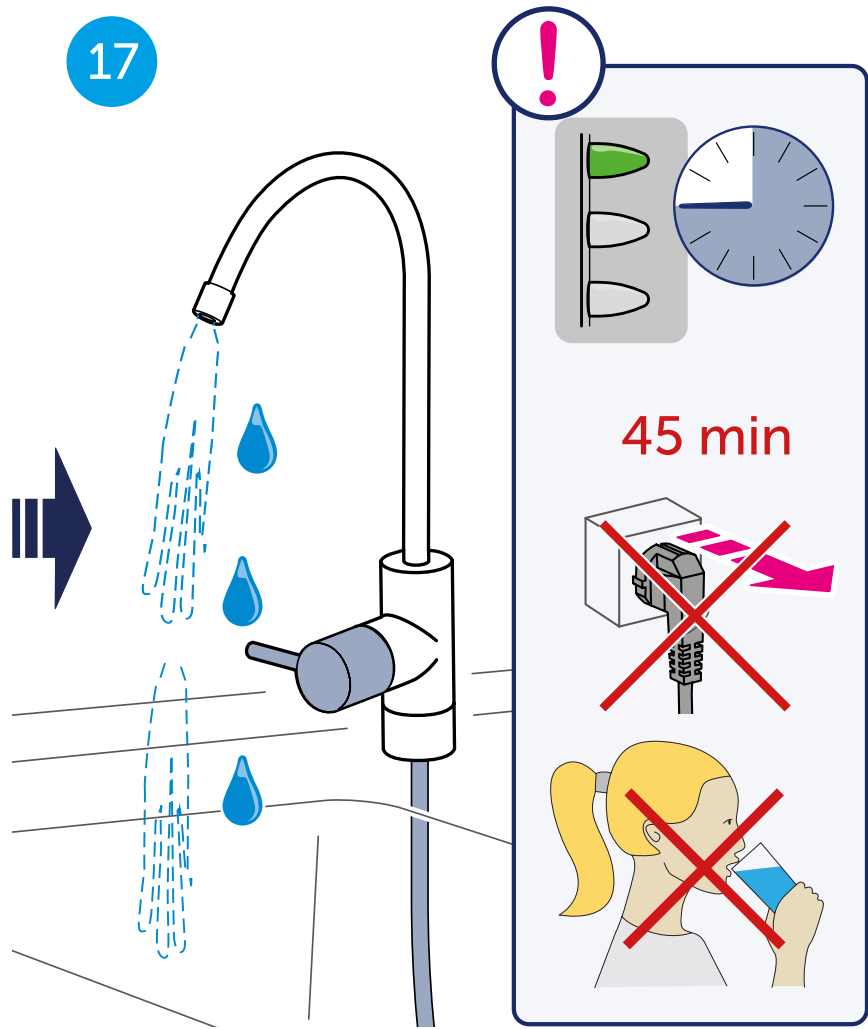
15



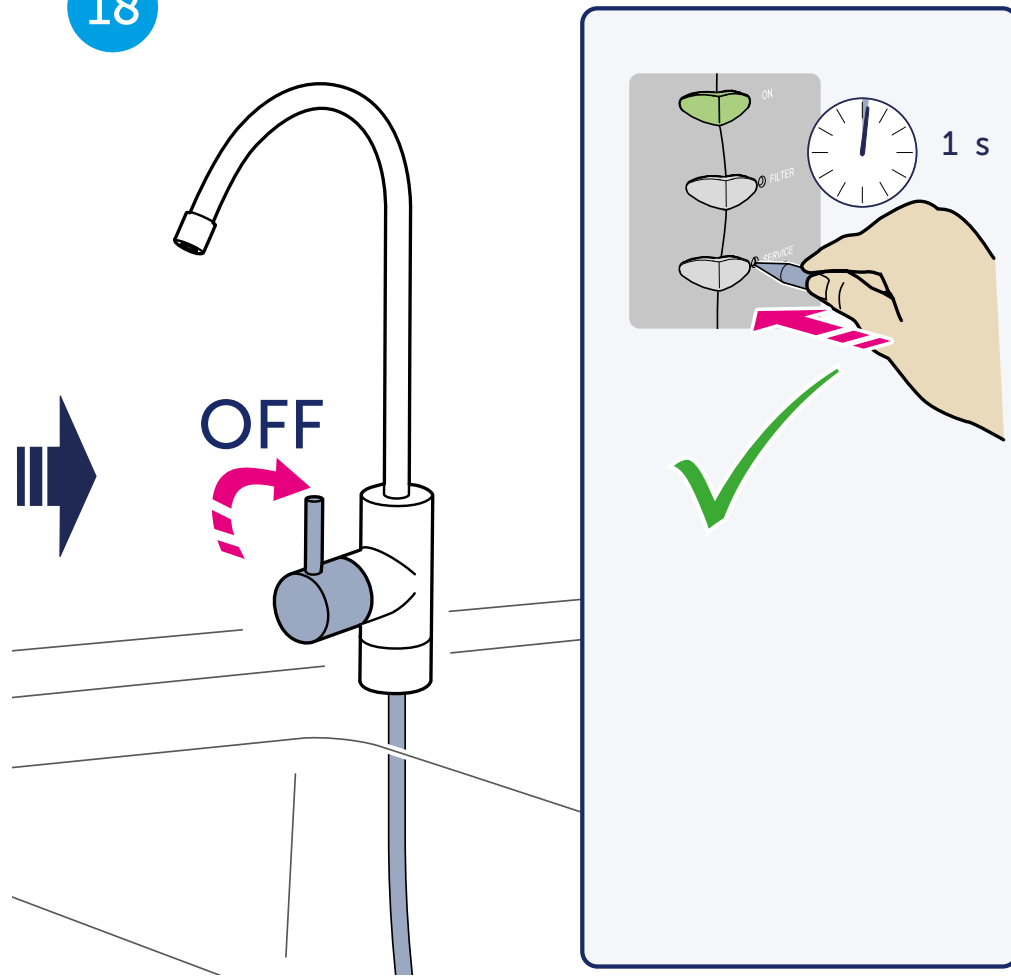
16

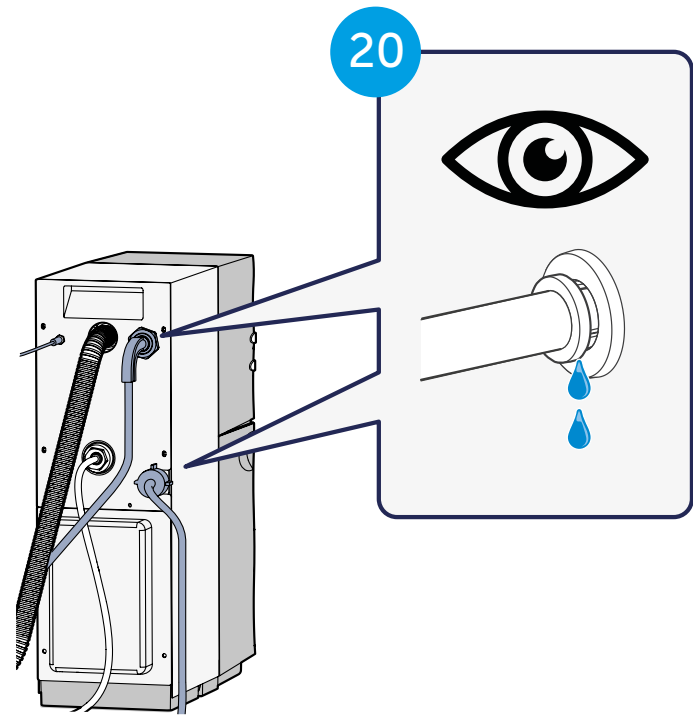
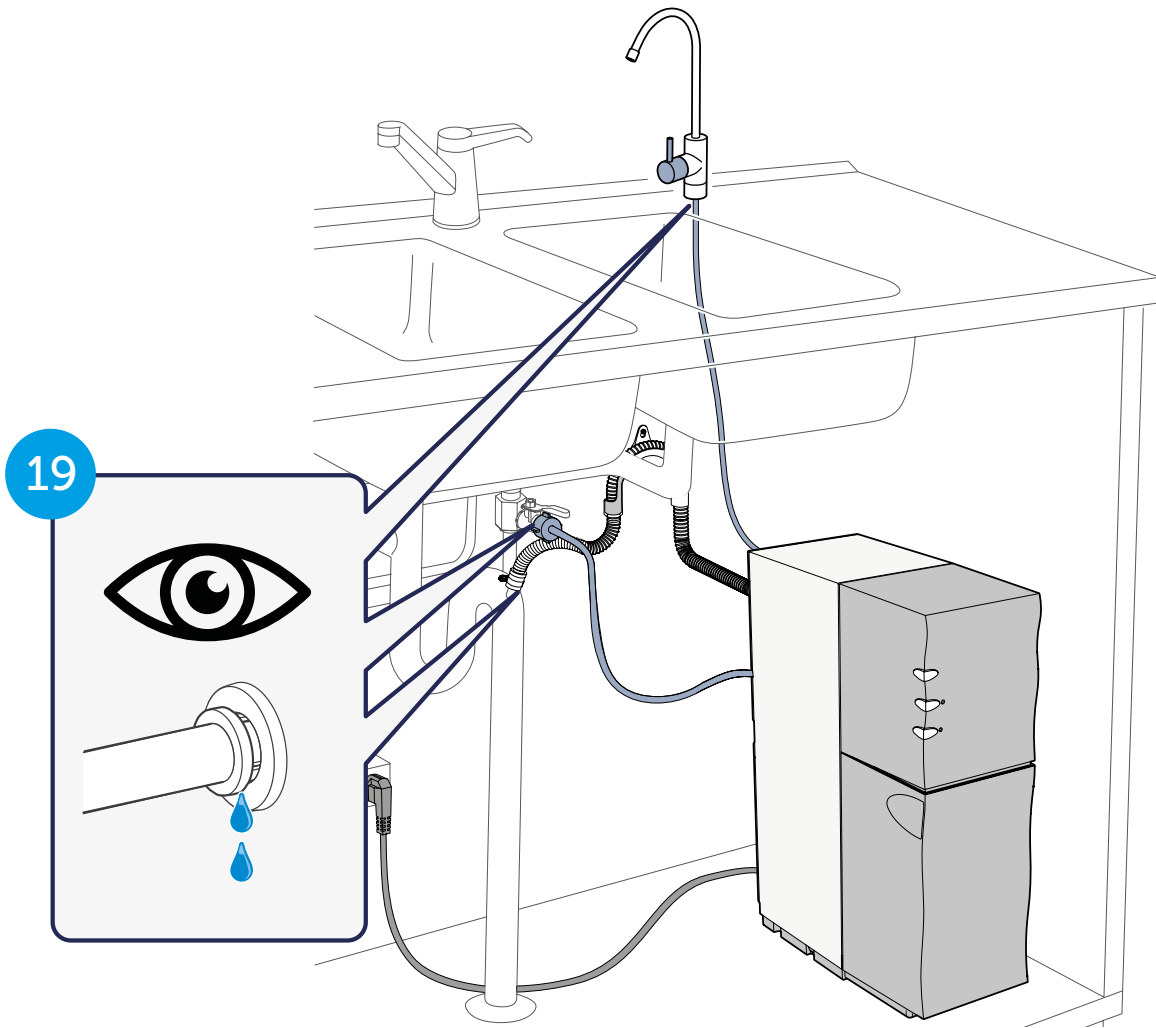


17



18





21



Enjoy your **BLUEWATER SPIRIT!**  
One of the best water purifiers in the world!

**GOOD FOR YOU  
GOOD FOR HUMANITY  
GOOD FOR THE PLANET**



ENG: Installation must comply with applicable local plumbing codes and regulations.

FR: L'installation doit respecter les normes et réglementations de plomberie locales applicables

ES: La instalación de fontanería debe cumplir con la reglamentación y las normativas locales.

PT: A instalação deve cumprir as normas e os regulamentos de canalização locais aplicáveis.

IT: L'installazione deve rispettare i codici e le regolamentazioni idrauliche locali vigenti.

DE: Die Installation muss die örtlichen Vorschriften und Richtlinien für Wasser bzw. Sanitäranlagen erfüllen.

PL: Muszą być spełnione obowiązujące przepisy i regulacje dotyczące instalacji wodociągowej.

RU: Установка должна соответствовать действующим местным санитарным нормам и правилам.

SE: Installationen måste uppfylla gällande VVS-regler och -förfordningar.

FI: Asennus on tehtävä sovellettavien paikallisten LVI-sääntöjen ja -määräysten mukaisesti.

NO: Installasjonen må utføres i henhold til gjeldende praksis og bestemmelser for rørleggerarbeid.

DK: Installationen skal overholde de gældende lokale regler og forskrifter for VVS-installationer.

ZH: 必须按照适用的当地管道标准和法规进行安装。

ID: Instalasi harus mematuhi kode pipa dan peraturan setempat yang berlaku.

KO: 해당 지역 위생 공사 기준 및 규정을 준수하여 설치해야 합니다

BLUEWATER IS A SWEDISH WATER  
COMPANY WHO PURIFIES LOCAL  
SOURCES OF WATER INTO PURE,  
FRESH DRINKING WATER.  
WE'RE COMMITTED TO REDUCING  
PLASTICS IN OUR OCEANS BY  
ELIMINATING THE NEED FOR  
SINGLE-USE PACKAGING. JOIN US.

[BLUEWATERGROUP.COM](http://BLUEWATERGROUP.COM)

BLUEWATER  
Danderydsgatan 11  
114 26 Stockholm  
Sweden

[info@bluewatergroup.com](mailto:info@bluewatergroup.com)



BLUEWATER

